



IPC

FOMA

Spare Parts List

IP Cleaning Srl - Soteco

Ref: ASDO04953

Cust.Ref: 7050481315929

Model: VACUUM DOMUS SMALL 1400W HG/CS

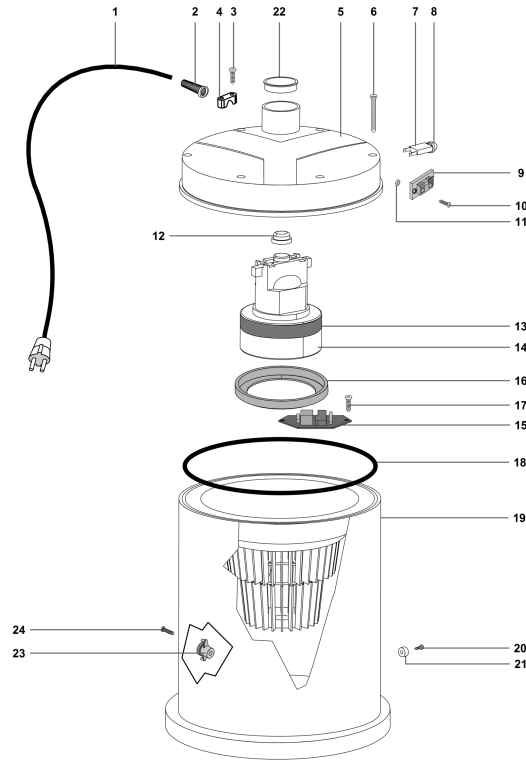
Cust.Model: 131592 HG 1715



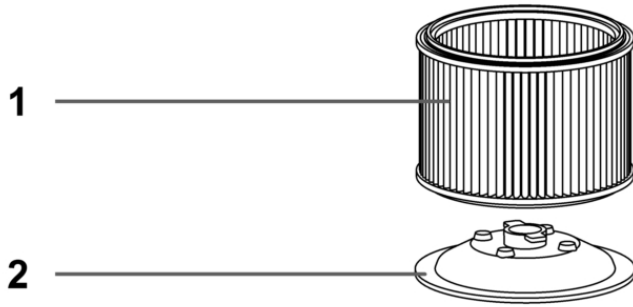
IPC Integrated Professional Cleaning

IPC Soteco

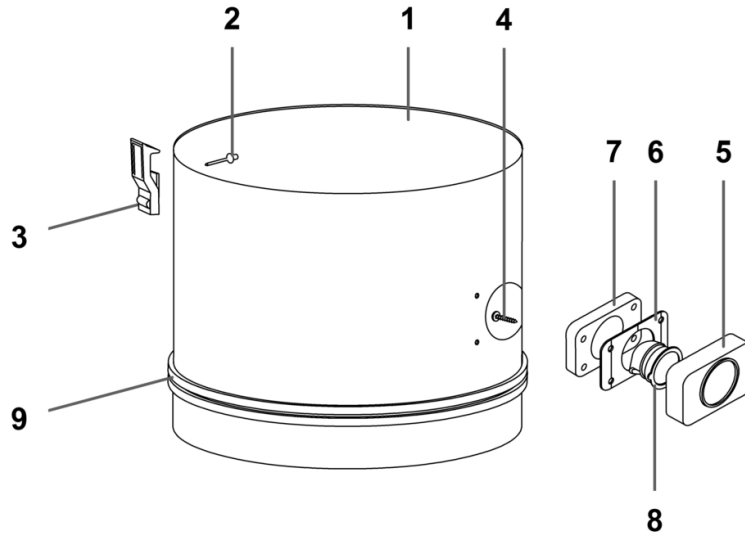
Ref. K	Part N.	Old Ref.	Description	Quantity	Validity		Price
					From	To	
0001	PMTA08124	07473 HG	HEAD DOMUS G4-G5 (FOMA NORGE)	1,00			--
0002	KTRI04578	07474 POLY FOMA	KIT FILTRANTE DOMUS CARTUCCI	1,00			--
0003	PMVR04932	021905 G4/G5	DOMUS TANK S + HOOK 01847 G4/G5	1,00			--
0004	KTRI04537	07358 V FN	INSTALL.KIT CENTR. FOMA 4.5	1,00			--
0005	KTRI02526	148028	SET FOMA SCREWS + PLUGS	1,00			--
0006	FTDP00421	182086	PAPER BAG FROMA W27	1,00			--



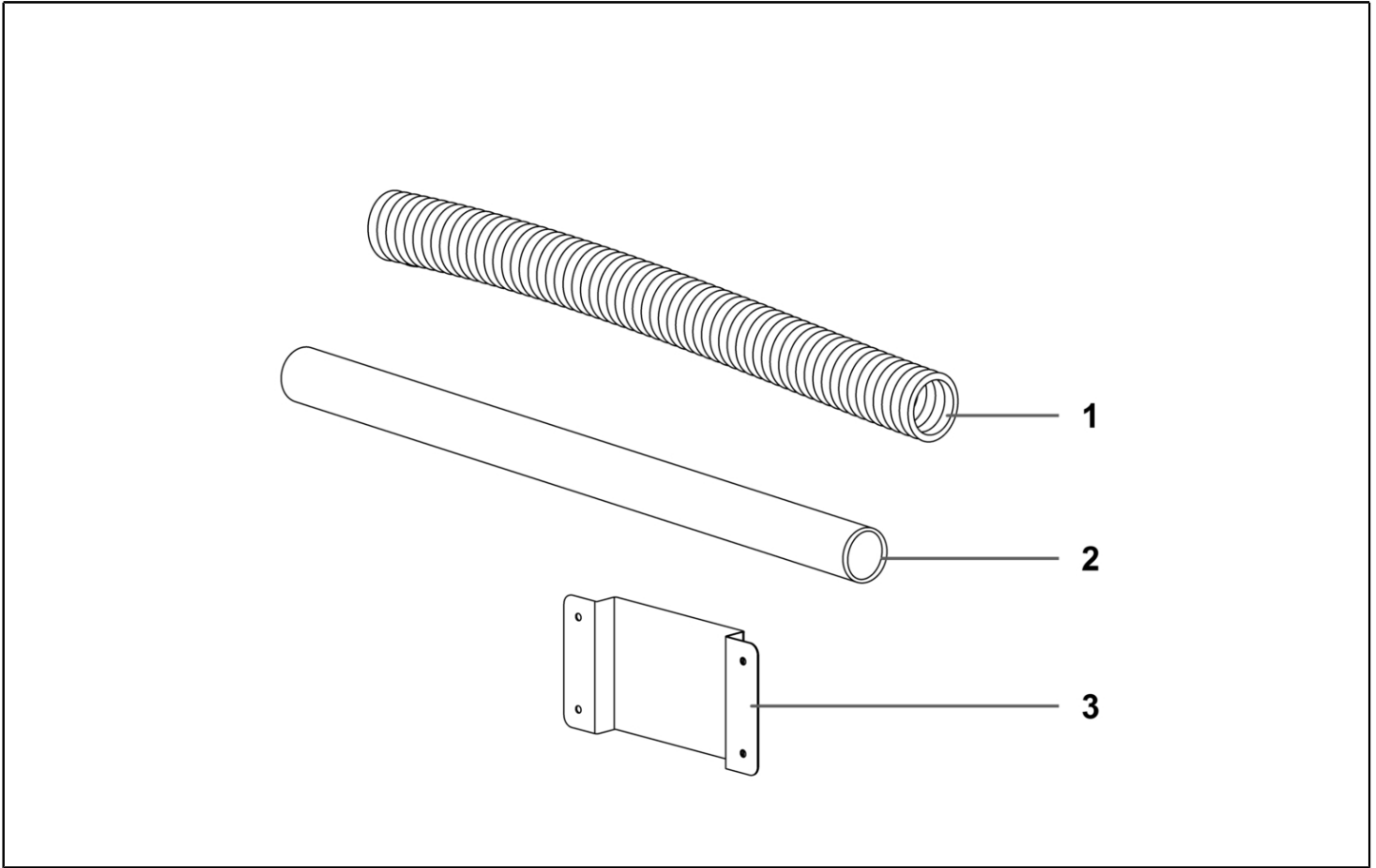
Ref. K	Part N.	Old Ref.	Description	Quantity	Validity		Price
					From	To	
0001	MECB34364	03371	ELECTRIC CORD 2X1 MT 2,90	1,00			--
0002	MEVR28673	00138	FAIRLEAD	1,00			--
0003	VTVT71961	01006	SCREW PFU TMT PHL 5X20 ZN NERA	2,00			--
0004	MPVR28690	00139	CABLE CLAMP	1,00			--
0005	MPVR10202	07188G5	CENTR.COVER DOMUS	1,00			--
0006	VTVT40007	03273	SCREW PAT TMT PHL 5X55 BLACK	6,00			--
0007	METK00045		GROUND PROTECT. 8 A	1,00	15/04/2016		--
0008	MEVR02388		CAP 3/8	1,00	15/04/2016		--
0009	MEVR01794	06493	SPRING BIPOLAR TERMINAL	1,00			--
0010	VTVT01091	02091	SCREW TSP W/ACC. M 3X16 UNI6109	2,00			--
0011	VTDD00227	01046	NUT M 3 UNI 5588	2,00			--
0012	PMVR02587	07191	MOTORFASTENER RUBBER G.EPDM60D42X15	1,00			--
0013	FTDP00279	06093	FILTER MTP/30 30X10X495	1,00			--
0014	MOMO00825	07039 S S/C	MOT.TD43 TP AD 1400W 230/50	1,00			--
0015	MECE00715	06492/DOM	ELECTRONIC CARD 1 RELAY W/CABLES	1,00			--
0016	GUGO28683	03901	"L" GASKET W/O HOLES H=5,5	1,00			--
0017	VTVT71960	01005	SCREW PAT TMT PHL 5X14 ZN BLACK	2,00			--
0018	GUGO00343	07452	OR SEAL COVER	1,00			--
0019	PMBA00641	07189G4 V/D	BASE DOMUS W/GASKET G4	1,00			--
0020	VTVT72114	02680	SCREW TC POZ 4X15 AC ZN BLACK	2,00			--
0021	VTRS72158	02974	PLAST.WASHER	2,00			--
0022	MPVR06923	07495	PROTECTION CUP DOMUS D.51	1,00			--
0023	VVSC00059	07750/2	VALVE HIGH PRESSURE	1,00			--
0024	VTVT72114	02680	SCREW TC POZ 4X15 AC ZN BLACK	2,00			--



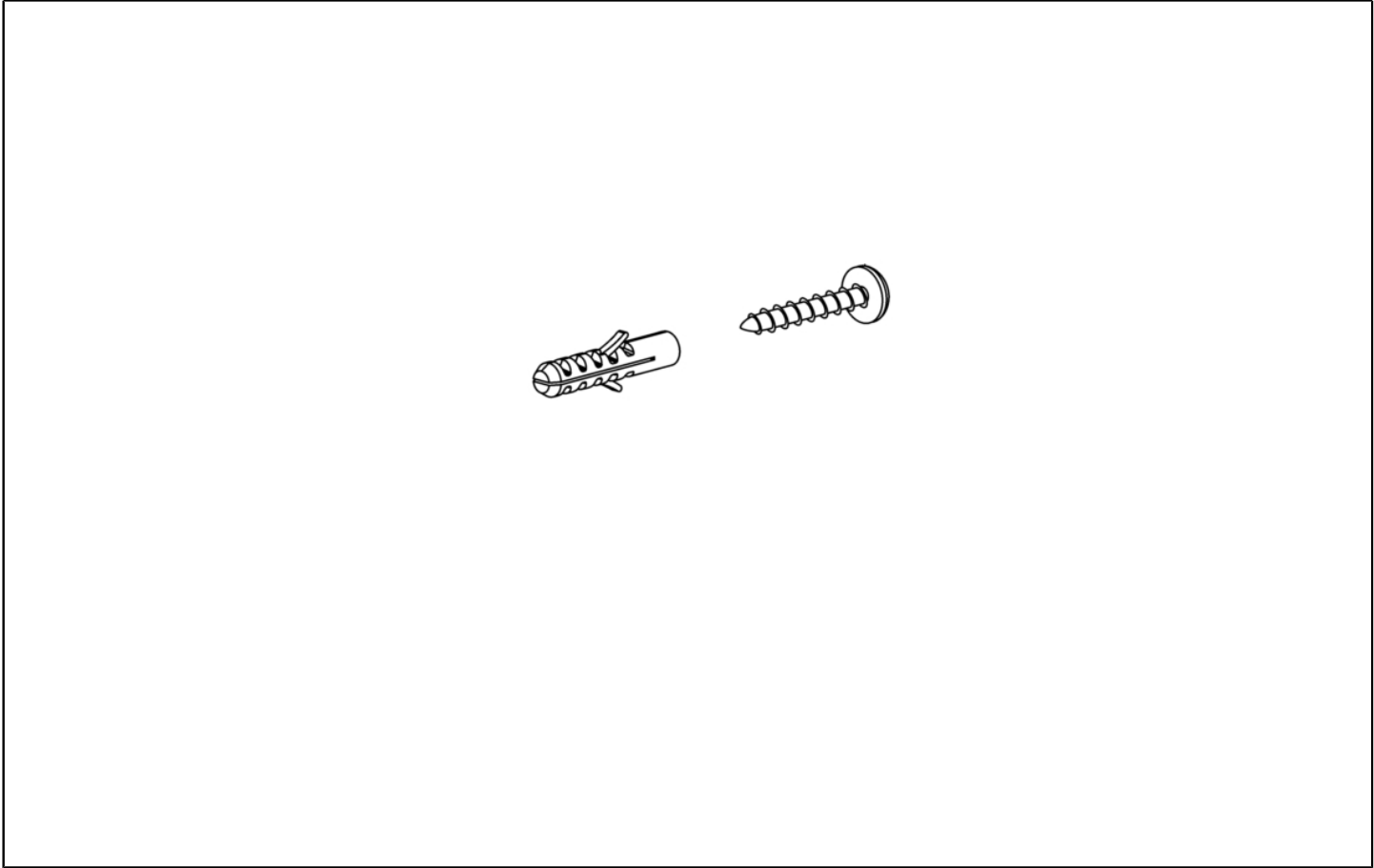
Ref. K	Part N.	Old Ref.	Description	Quantity	Validity		Price
					From	To	
0001	FTDP00583	06061/F-1	CARTRIDGE POLY 175X145X164 C/F	1,00			--
0002	PMVR05196	02855 FOMA	DISC BLOCCAFILTRO COMPLETO (FO	1,00			--



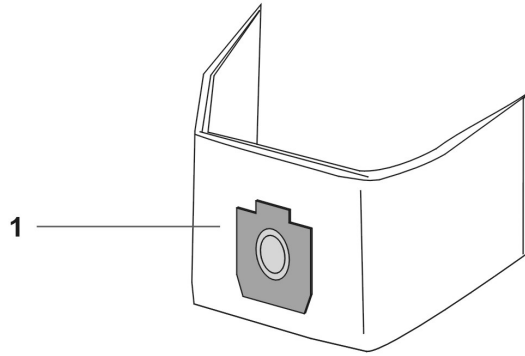
Ref. K	Part N.	Old Ref.	Description	Quantity	Validity		Price
					From	To	
0001	PMVR03279	021904G4	TANK PL DOMUS S BOCC/45°	1,00			--
0002	VTVR71992	01302	RIVET 4,8X17	4,00			--
0003	CHVR28735	01847/SNE	COMPLETE PLASTIC HOOK BLACK	2,00	15/02/2016		--
0004	VTVT71966	01026	SCREW PAT TMT PHL 5X30 BLACK	4,00			--
0005	MPVR10215	07190G5	CENTR.INLET DOMUS GR.5000	1,00			--
0006	GUVR00430	021165	GASKET INLET DOMUS	1,00			--
0007	MPVR08678	02586G4	GASKET R 205 GREY 4000	1,00			--
0008	MPVR42004	02767	DEFLECTOR 99/60	1,00			--
0009	MPVR10519	07308G5	SHOCKPROOF BAND 300 GR. 5000	1,00			--



Ref. K	Part N.	Old Ref.	Description	Quantity	Validity		Price
					From	To	
0001	TBFX00941	07497 G	FLEX HOSE D.60 GREY MT.0.60	2,00			--
0002	TBBP00552	020046	TUBE PVC DA 2" WHITE	1,00			--
0003	LAFN10215	07311 V	PAINTED WALL BRACKET FE GR.5	1,00			--



Ref. K	Part N.	Old Ref.	Description	Quantity	Validity		Price
					From	To	
	KTRI02526	148028	SET FOMA SCREWS + PLUGS	1,00			--
	KTRI02526	148028	SET FOMA SCREWS + PLUGS	1,00			--



Ref. K	Part N.	Old Ref.	Description	Quantity	Validity		Price
					From	To	
0001	FTDP00421	182086	PAPER BAG FROMA W27	1,00			--
0001	FTDP00421	182086	PAPER BAG FROMA W27	1,00			--